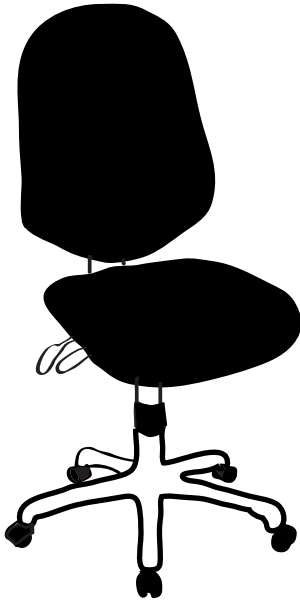




**Mundane
Appreciation**

Household Questionnaire

England



**DRAW
US A
PICTURE
OF YOUR
FAVOURITE
CHAIR**

A message to everyone- act now

Mundane Appreciation is an organization devoted to documenting everyday life. Please take the time to fill out this questionnaire to help us gather more information about your day to day lives. We will interpret and display your contributions and turn them into books, radio shows, animations, illustrations and films.

Mundane Appreciation is not interested in your occupation or religious views, we just want to know about the kitchen cupboard you never use and exactly how you change your duvet cover.

1

Which Do You Prefer?

Curtains

Or Blind

Closet

Or Wardrobe

Pull cord light switch

Or Wall mounted light switch

Hoovering

Or Sweeping

Cheese grater

Or Cheese slicer

Colander

Or Sieve

Screw cap lightbulb

Or Bayonet lightbulb

Please pick one of your preferences from above and explain your choice in as much detail as you can.

2

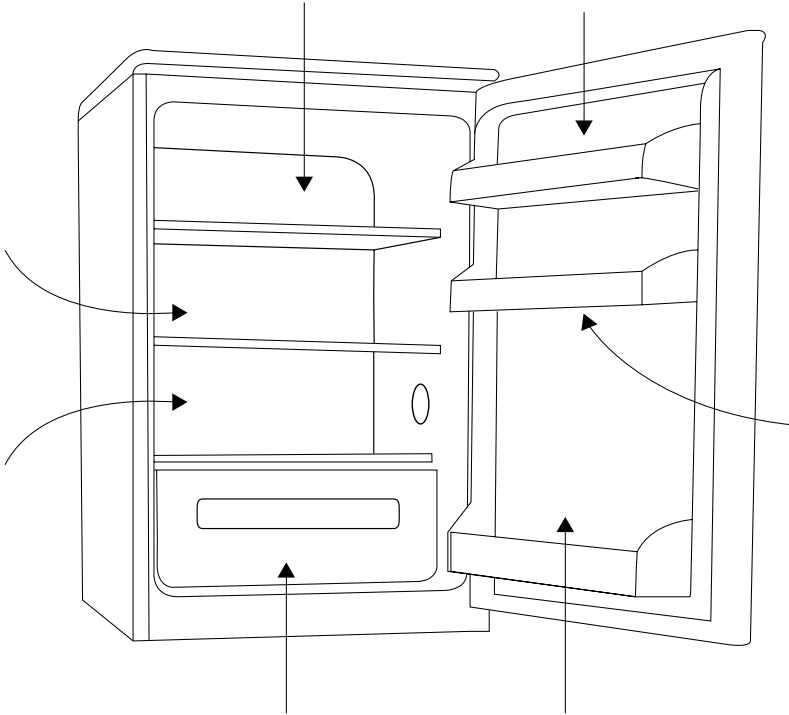
Your Favourite Chair

Please draw a picture of your favourite chair.



3 Your Refrigerator


Using the diagram below, please label how you organise your refrigerator.



4

The Mug That You Never Use

Some people have a mug that they always avoid using. Please draw or describe the mug that you never use and tell us why.



5

Your Household Batteries

Look around your living room and write down how many batteries there are. What are they being used in? Which battery hatch is your favourite to open and why?

6

Your Electrical Appliances

Which of your electrical appliances has the longest lead? Think of any plug socket in your house and describe where it is. What is around it? Is it behind something? Is it easy or difficult to access?

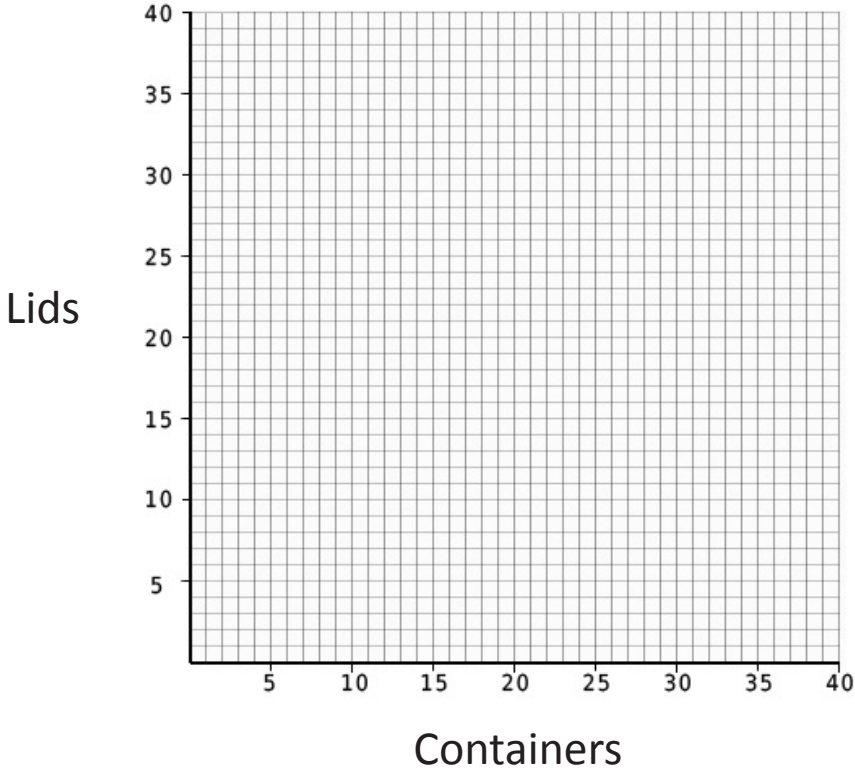
7 Your Toilet Roll

Please pick up your toilet roll and draw what you can see through it.



8 Your Tupperware

Please mark your tupperware lid to container ratio on the graph below.



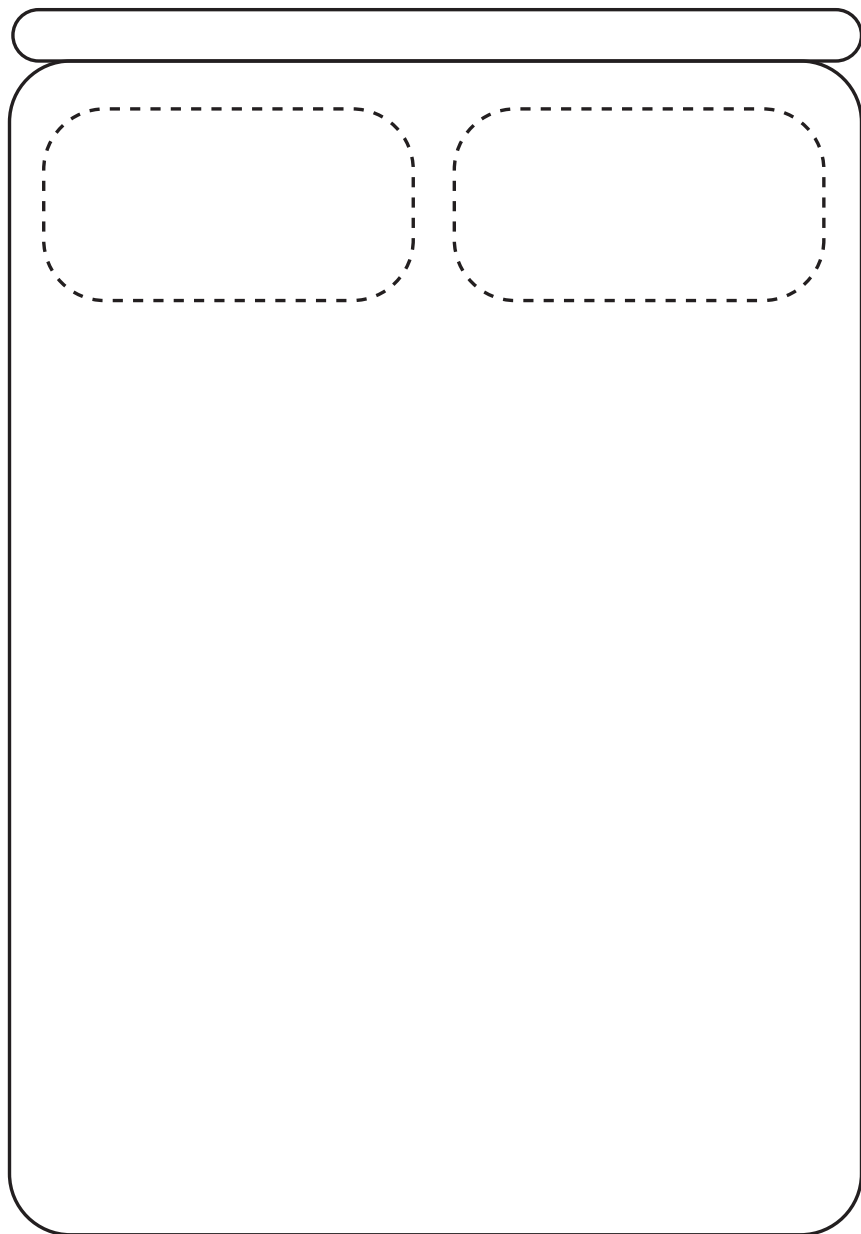
9 Your Scissors

Please describe where you keep any pair of scissors and list five other items that you keep in the same place.

10

Your Sleeping Position

Please draw your favourite sleeping position.



Extra Activities

If you've enjoyed filling out this questionnaire then why not try out some of our more advanced activities and include them in the envelope provided or email them to info@mundaneappreciation.com

- Take a pencil rubbing of a texture from something in your bathroom.
- List all the subjects from the emails you received this week.
- Email us the picture or wallpaper that you are currently using for your computer desktop background at home.
- Make a self portrait of things you find in your junk drawer.
- Take a photograph of a triangle that you find in your house.
- Record the sound of making breakfast.
- Send us your favourite piece of junk mail from this week.
- Look at your receipts from this week and write down the names of the people who served you. If you don't need the receipts, why not send them to us.
- From memory, draw a portrait of someone who served you in a shop this week.
- Film yourself changing your bed sheets.
- Take a photo of the entire contents of your handbag or pockets.
- Make a foot print of your favourite shoe.
- Take a picture of the wires behind your desk, or some other cluster of wires in your house.

Your Completed Questionnaire

Thank you for filling out The Mundane Appreciation Household Questionnaire.

Please send your completed questionnaire to **13 Selbourne Road, Hove, BN3 3AJ** using the envelope provided.

If you would like to get more involved in Mundane Appreciation's future projects please use the space below to write down your email or postal address and we will get in touch.

A large, empty rectangular area defined by a dashed red border, intended for the respondent to write their contact information.



Mundane Appreciation

www.mundaneappreciation.com

© Mundane Appreciation 2011